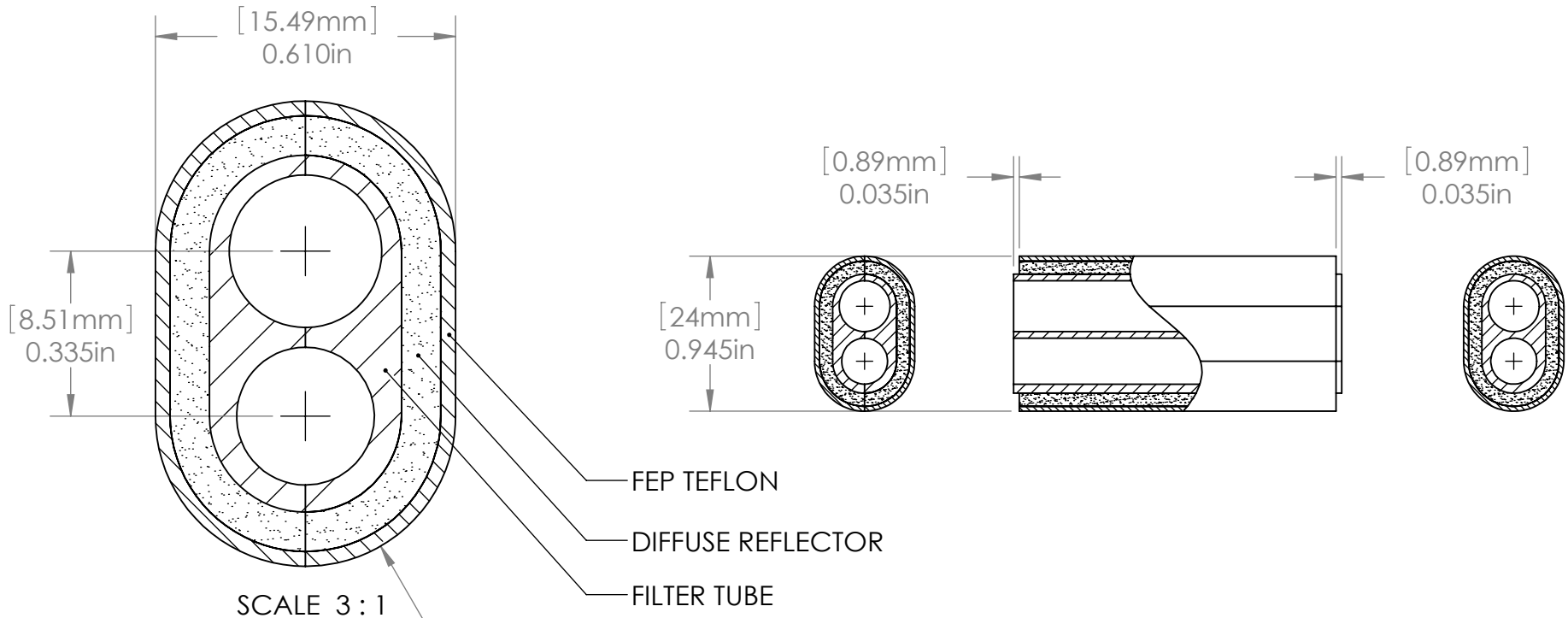


| NO. | NOTES |
|-----|--|
| 1 | REFERENCE DRAWING #A1316 FOR FILTER TUBE DIMENSIONS |
| 2 | DIFFUSE REFLECTOR MATERIAL: ULTRA HIGH PURITY BaSO ₄ AND TEFLON FLOURINATED ETHYLENE PROPYLENE (FEP) |
| | |
| | |



UNLESS OTHERWISE SPECIFIED:

DIMENSIONS ARE IN INCHES
(EXCEPT WHERE NOTED)
TOLERANCES:
ONE PLACE DECIMAL ±0.020
TWO PLACE DECIMAL ±0.010
THREE PLACE DECIMAL ±0.005

INTERPRET GEOMETRIC
TOLERANCING PER:

MATERIAL
SEE NOTES 2

FINISH

DO NOT SCALE DRAWING

| | NAME | DATE |
|-----------|------|---------|
| DRAWN | CXY | 11JAN10 |
| CHECKED | CRH | 11JAN10 |
| ENG APPR. | | |
| MFG APPR. | | |
| Q.A. | | |
| COMMENTS: | | |

 **KIGRE, INC.**

TITLE:
PACKED FILTER TUBE DIMENSIONS

335/2

| SIZE | DWG. NO. | REV |
|------|----------|-----|
| A | A3261 | 0 |

| SCALE: 1:1 | WEIGHT: | SHEET 1 OF 1 |
|------------|---------|--------------|
| | | |

| REV | DATE | DESCRIPTION | BY | APPR |
|-----|------|-------------|----|------|
| | | | | |

PROPRIETARY AND CONFIDENTIAL
THE INFORMATION CONTAINED IN THIS DRAWING IS THE SOLE
PROPERTY OF KIGRE, INC. ANY REPRODUCTION IN PART OR AS
A WHOLE WITHOUT THE WRITTEN PERMISSION OF KIGRE, INC. IS
PROHIBITED.

NEXT ASSY

USED ON

APPLICATION

5

4

3

2

1