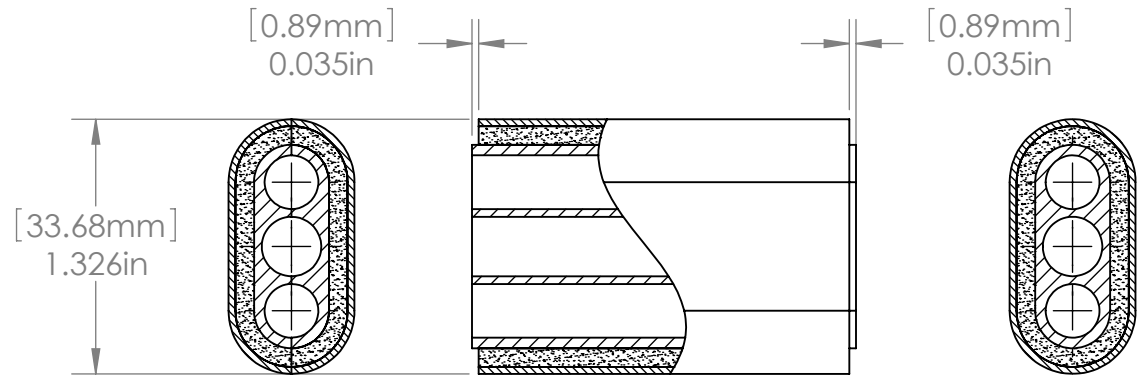
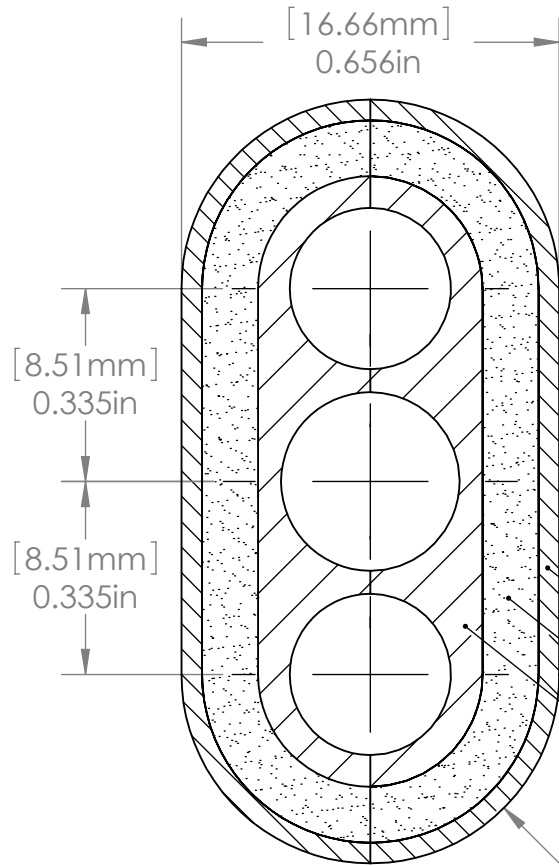
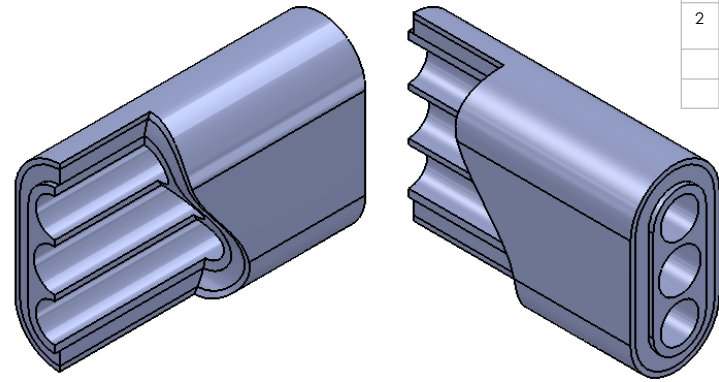


NO.	NOTES
1	REFERENCE DRAWING #A1531 FOR FILTER TUBE DIMENSIONS
2	DIFFUSE REFLECTOR MATERIAL: ULTRA HIGH PURITY BaSO <sub>4</sub> AND TEFLON FLOURINATED ETHYLENE PROPYLENE (FEP)



FEP TEFLON  
DIFFUSE REFLECTOR  
FILTER TUBE

SCALE 3 : 1

[8.33mm]  
R0.328in

UNLESS OTHERWISE SPECIFIED:

DIMENSIONS ARE IN INCHES  
(EXCEPT WHERE NOTED)  
TOLERANCES:  
ONE PLACE DECIMAL ±0.020  
TWO PLACE DECIMAL ±0.010  
THREE PLACE DECIMAL ±0.005

INTERPRET GEOMETRIC  
TOLERANCING PER:

MATERIAL  
SEE NOTES 2

FINISH

DO NOT SCALE DRAWING

	NAME	DATE
DRAWN	CXY	12JAN10
CHECKED	CRH	12JAN10
ENG APPR.		
MFG APPR.		
Q.A.		
COMMENTS:		

KIGRE, INC.

TITLE:  
PACKED FILTER TUBE DIMENSIONS

335/3

SIZE	DWG. NO.	REV
A	A3264	0

SCALE: 1:1	WEIGHT:	SHEET 1 OF 1

REV	DATE	DESCRIPTION	BY	APPR

PROPRIETARY AND CONFIDENTIAL  
THE INFORMATION CONTAINED IN THIS DRAWING IS THE SOLE  
PROPERTY OF KIGRE, INC. ANY REPRODUCTION IN PART OR AS  
A WHOLE WITHOUT THE WRITTEN PERMISSION OF KIGRE, INC. IS  
PROHIBITED.

NEXT ASSY

USED ON

APPLICATION

5

4

3

2

1