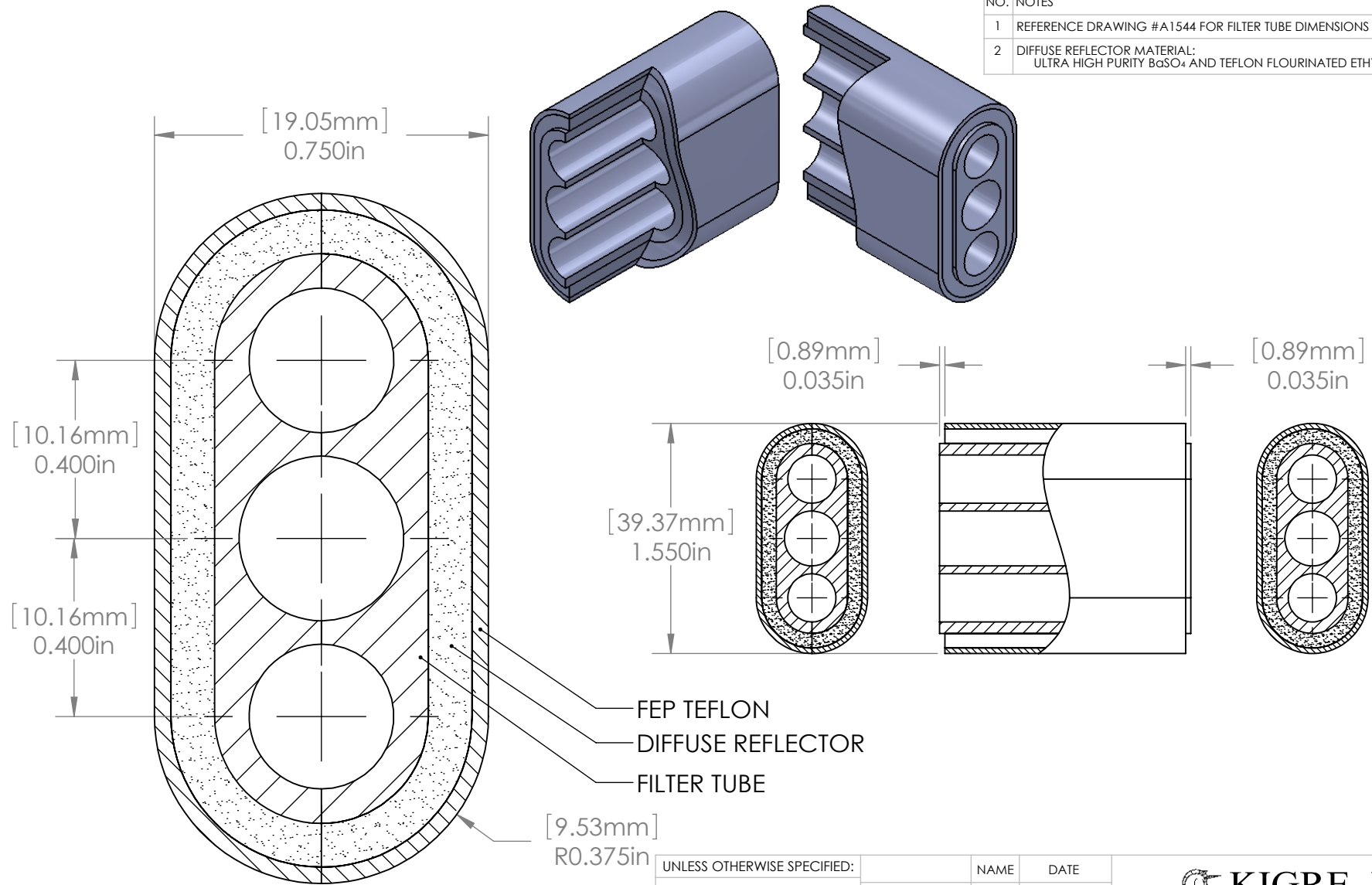


NO.	NOTES
1	REFERENCE DRAWING #A1544 FOR FILTER TUBE DIMENSIONS
2	DIFFUSE REFLECTOR MATERIAL: ULTRA HIGH PURITY BaSO ₄ AND TEFLON FLOURINATED ETHYLENE PROPYLENE (FEP)



SCALE 3:1

UNLESS OTHERWISE SPECIFIED:

DIMENSIONS ARE IN INCHES
(EXCEPT WHERE NOTED)
TOLERANCES:
ONE PLACE DECIMAL ±0.020
TWO PLACE DECIMAL ±0.010
THREE PLACE DECIMAL ±0.005

INTERPRET GEOMETRIC
TOLERANCING PER:

MATERIAL
SEE NOTES 2

FINISH

DO NOT SCALE DRAWING

NAME DATE

DRAWN CXY 19JAN10

CHECKED CRH 19JAN10

ENG APPR.

MFG APPR.

Q.A.

COMMENTS:

KIGRE, INC.

TITLE:

PACKED FILTER TUBE DIMENSIONS

400/3

SIZE	DWG. NO.	REV
A	A3265	0

SCALE: 1:1	WEIGHT:	SHEET 1 OF 1
------------	---------	--------------

REV	DATE	DESCRIPTION	BY	APPR

PROPRIETARY AND CONFIDENTIAL
THE INFORMATION CONTAINED IN THIS DRAWING IS THE SOLE
PROPERTY OF KIGRE, INC.. ANY REPRODUCTION IN PART OR AS
A WHOLE WITHOUT THE WRITTEN PERMISSION OF KIGRE, INC. IS
PROHIBITED.

NEXT ASSY

USED ON

APPLICATION