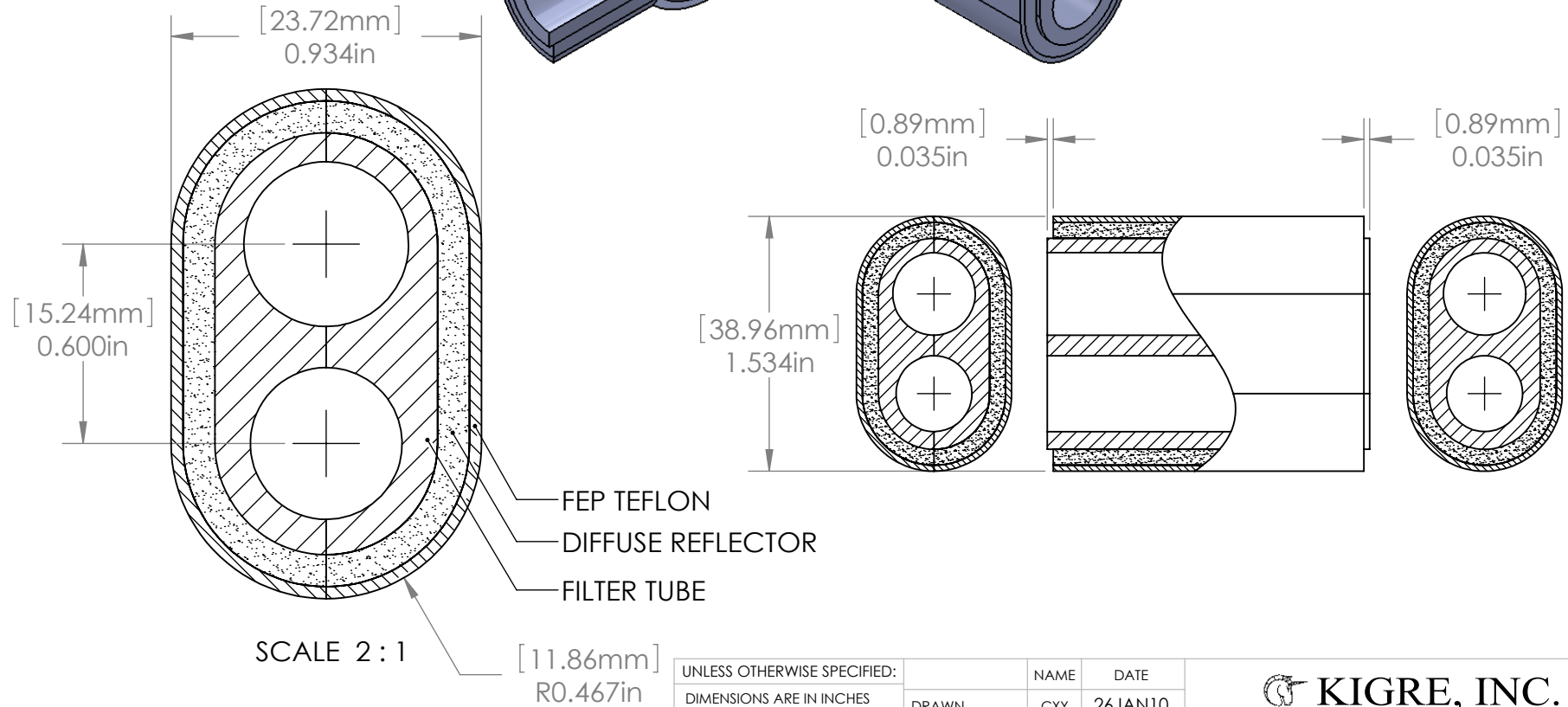
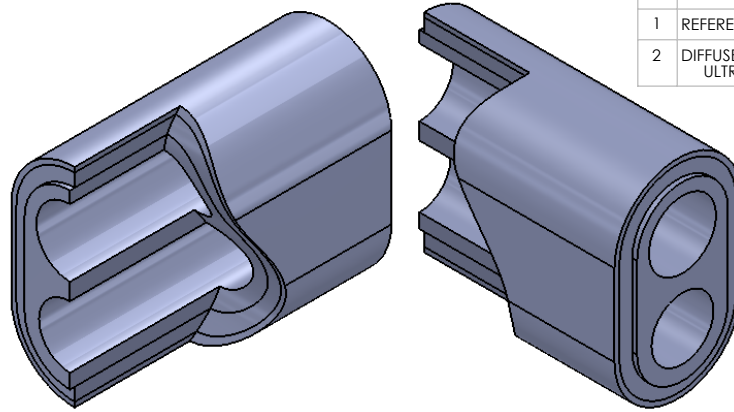


NO.	NOTES
1	REFERENCE DRAWING #A3732 FOR FILTER TUBE DIMENSIONS
2	DIFFUSE REFLECTOR MATERIAL: ULTRA HIGH PURITY BaSO ₄ AND TEFLON FLOURINATED ETHYLENE PROPYLENE (FEP)



UNLESS OTHERWISE SPECIFIED:

DIMENSIONS ARE IN INCHES
(EXCEPT WHERE NOTED)
TOLERANCES:
ONE PLACE DECIMAL ±0.020
TWO PLACE DECIMAL ±0.010
THREE PLACE DECIMAL ±0.005

INTERPRET GEOMETRIC
TOLERANCING PER:

MATERIAL
SEE NOTES 2

FINISH

DO NOT SCALE DRAWING

NAME DATE

DRAWN CXY 26JAN10

CHECKED CRH 26JAN10

ENG APPR.

MFG APPR.

Q.A.

COMMENTS:

KIGRE, INC.

TITLE:

PACKED FILTER TUBE DIMENSIONS

600/2

SIZE

A

DWG. NO.

A3889

REV

0

SCALE: 1:1

WEIGHT:

SHEET 1 OF 1

REV	DATE	DESCRIPTION	BY	APPR

PROPRIETARY AND CONFIDENTIAL
THE INFORMATION CONTAINED IN THIS DRAWING IS THE SOLE
PROPERTY OF KIGRE, INC.. ANY REPRODUCTION IN PART OR AS
A WHOLE WITHOUT THE WRITTEN PERMISSION OF KIGRE, INC. IS
PROHIBITED.

NEXT ASSY

USED ON

APPLICATION

5

4

3

2

1