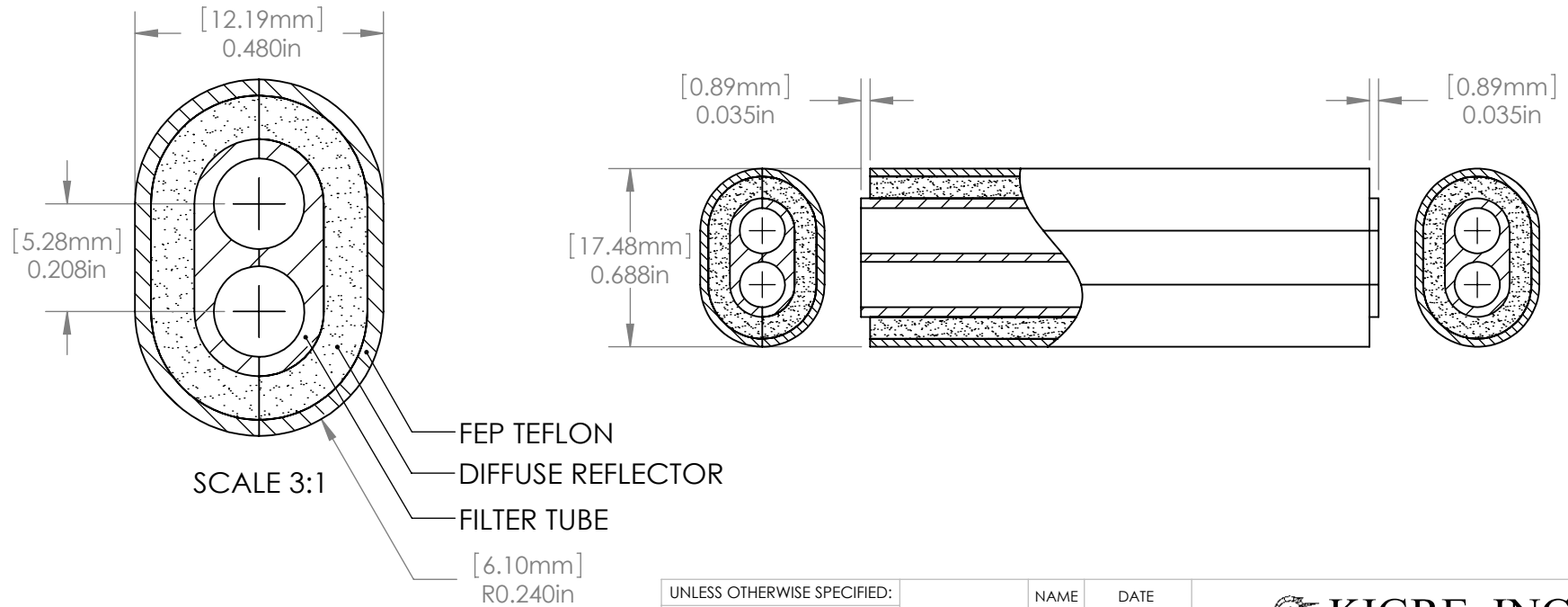
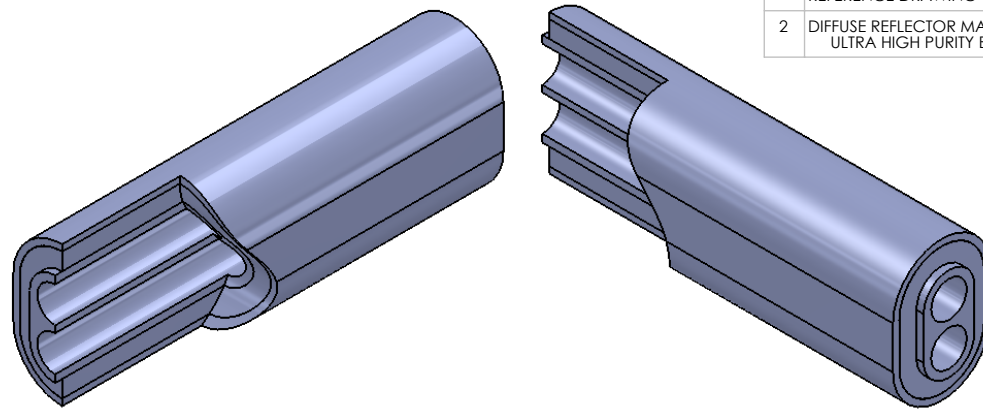


| NO. | NOTES  |
|-----|--|
| 1   | REFERENCE DRAWING #B1020 FOR FILTER TUBE DIMENSIONS  |
| 2   | DIFFUSE REFLECTOR MATERIAL:<br>ULTRA HIGH PURITY BaSO <sub>4</sub> AND TEFLON FLOURINATED ETHYLENE PROPYLENE (FEP) |



UNLESS OTHERWISE SPECIFIED:

DIMENSIONS ARE IN INCHES  
(EXCEPT WHERE NOTED)  
TOLERANCES:  
ONE PLACE DECIMAL ±0.020  
TWO PLACE DECIMAL ±0.010  
THREE PLACE DECIMAL ±0.005

INTERPRET GEOMETRIC  
TOLERANCING PER:

MATERIAL  
SEE NOTES 2

FINISH

DO NOT SCALE DRAWING

NAME DATE

DRAWN CXY 04JAN10

CHECKED CRH 04JAN10

ENG APPR.

MFG APPR.

Q.A.

COMMENTS:

KIGRE, INC.

TITLE:

PACKED FILTER TUBE DIMENSIONS

208/2

|      |          |     |
|------|----------|-----|
| SIZE | DWG. NO. | REV |
| A    | A3258    | 0   |

|            |         |              |
|------------|---------|--------------|
| SCALE: 3:2 | WEIGHT: | SHEET 1 OF 1 |
|------------|---------|--------------|

| REV | DATE | DESCRIPTION | BY | APPR |
|-----|------|-------------|----|------|
|     |      |             |    |      |

PROPRIETARY AND CONFIDENTIAL  
THE INFORMATION CONTAINED IN THIS DRAWING IS THE SOLE  
PROPERTY OF KIGRE, INC.. ANY REPRODUCTION IN PART OR AS  
A WHOLE WITHOUT THE WRITTEN PERMISSION OF KIGRE, INC. IS  
PROHIBITED.

NEXT ASSY

USED ON

APPLICATION

5

4

3

2

1