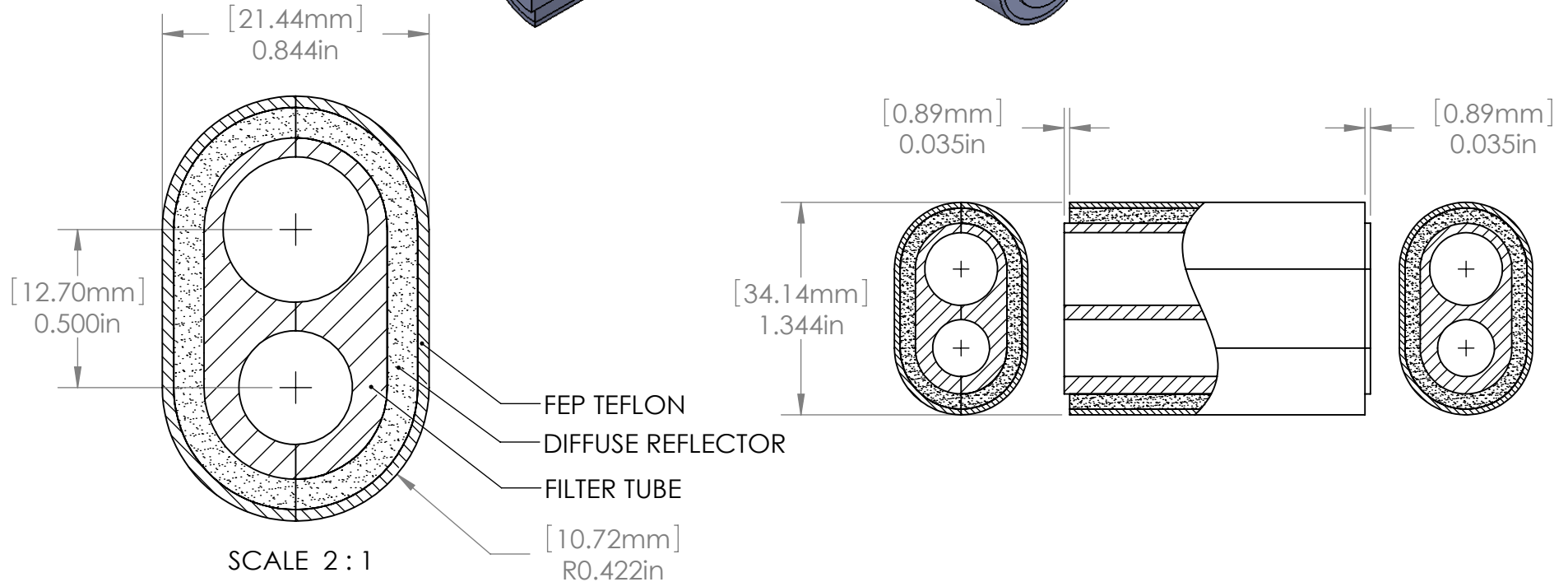
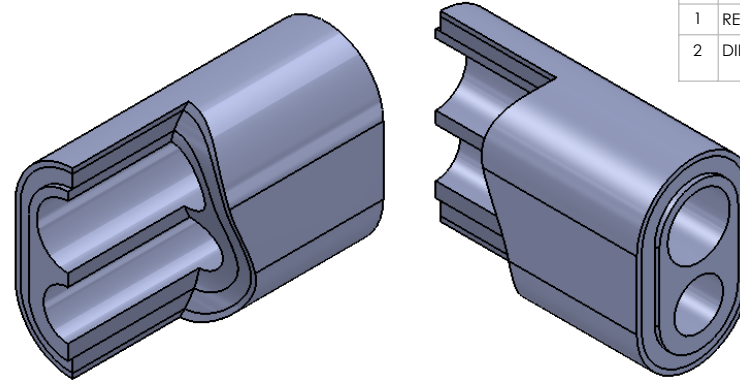


NO.	NOTES
1	REFERENCE DRAWING #A1484 FOR FILTER TUBE DIMENSIONS
2	DIFFUSE REFLECTOR MATERIAL: ULTRA HIGH PURITY BaSO <sub>4</sub> AND TEFLON FLOURINATED ETHYLENE PROPYLENE (FEP)



UNLESS OTHERWISE SPECIFIED:

DIMENSIONS ARE IN INCHES  
(EXCEPT WHERE NOTED)  
TOLERANCES:  
ONE PLACE DECIMAL ±0.020  
TWO PLACE DECIMAL ±0.010  
THREE PLACE DECIMAL ±0.005

INTERPRET GEOMETRIC  
TOLERANCING PER:

MATERIAL  
SEE NOTES 2

FINISH

DO NOT SCALE DRAWING

NAME DATE

DRAWN CXY 22JAN10

CHECKED CRH 22JAN10

ENG APPR.

MFG APPR.

Q.A.

COMMENTS:

KIGRE, INC.

TITLE:

PACKED FILTER TUBE DIMENSIONS

500/2

SIZE	DWG. NO.	REV
A	A3263	0

SCALE: 1:1	WEIGHT:	SHEET 1 OF 1
------------	---------	--------------

REV	DATE	DESCRIPTION	BY	APPR

PROPRIETARY AND CONFIDENTIAL THE INFORMATION CONTAINED IN THIS DRAWING IS THE SOLE PROPERTY OF KIGRE, INC.. ANY REPRODUCTION IN PART OR AS A WHOLE WITHOUT THE WRITTEN PERMISSION OF KIGRE, INC. IS PROHIBITED.	NEXT ASSY	USED ON
	APPLICATION	

5

4

3

2

1