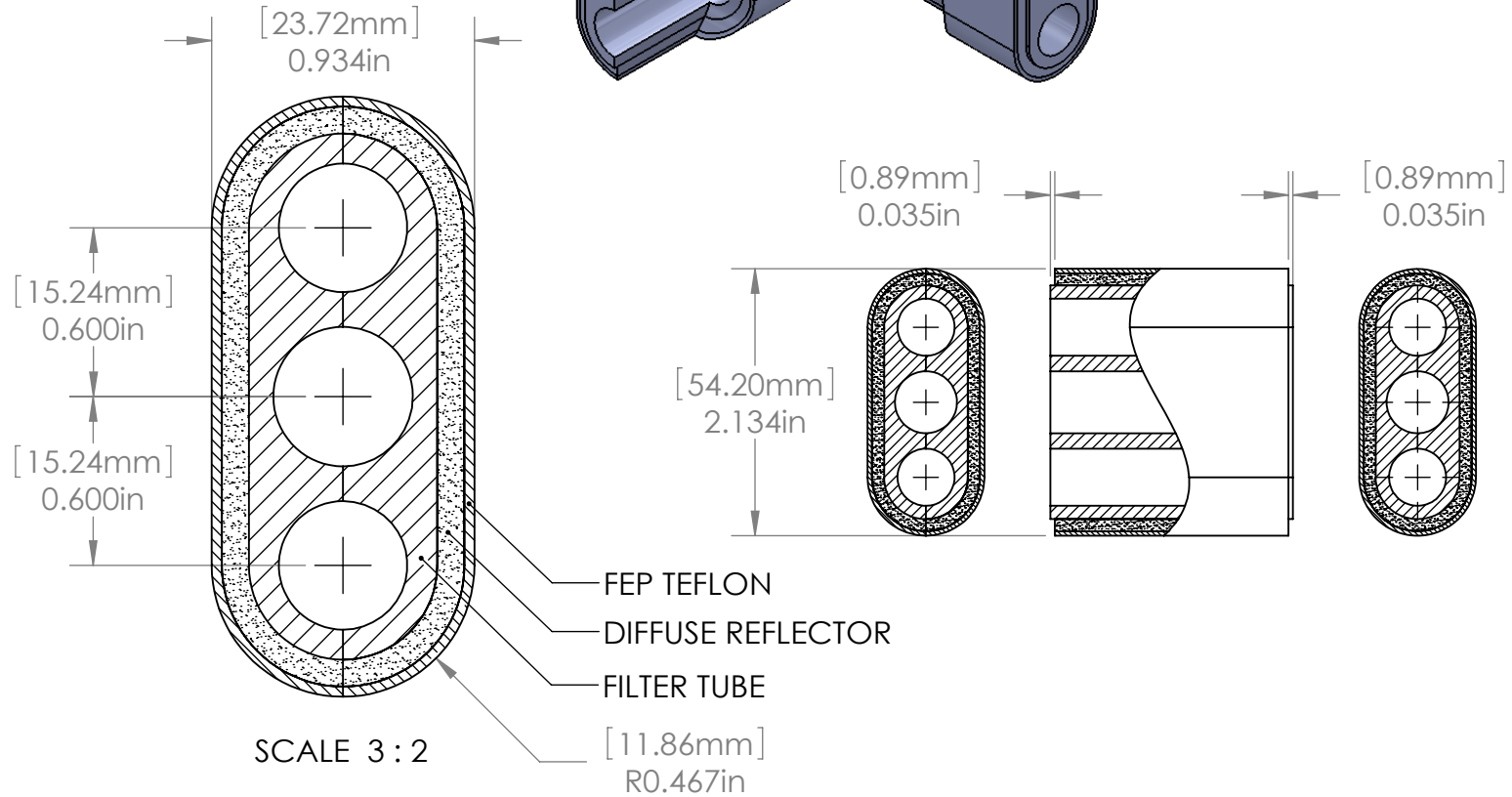
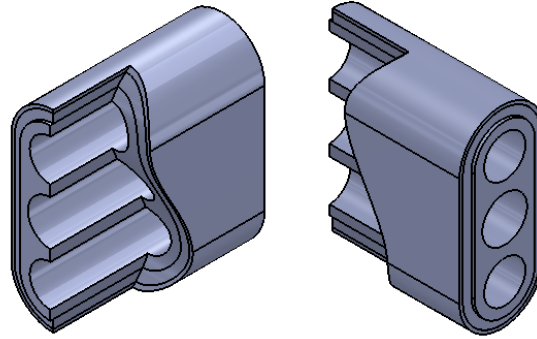


NO.	NOTES
1	REFERENCE DRAWING #A2949 FOR FILTER TUBE DIMENSIONS
2	DIFFUSE REFLECTOR MATERIAL: ULTRA HIGH PURITY BaSO <sub>4</sub> AND TEFLON FLOURINATED ETHYLENE PROPYLENE (FEP)



UNLESS OTHERWISE SPECIFIED:

DIMENSIONS ARE IN INCHES  
(EXCEPT WHERE NOTED)  
TOLERANCES:  
ONE PLACE DECIMAL ±0.020  
TWO PLACE DECIMAL ±0.010  
THREE PLACE DECIMAL ±0.005

INTERPRET GEOMETRIC  
TOLERANCING PER:

MATERIAL  
SEE NOTES 2

FINISH

DO NOT SCALE DRAWING

NAME DATE

DRAWN CXY 25JAN10

CHECKED CRH 25JAN10

ENG APPR.

MFG APPR.

Q.A.

COMMENTS:

 KIGRE, INC.

TITLE:

PACKED FILTER TUBE DIMENSIONS

600/3

SIZE

A

DWG. NO.

A3267

REV

0

SCALE: 2:3

WEIGHT:

SHEET 1 OF 1

REV	DATE	DESCRIPTION	BY	APPR

PROPRIETARY AND CONFIDENTIAL  
THE INFORMATION CONTAINED IN THIS DRAWING IS THE SOLE  
PROPERTY OF KIGRE, INC.. ANY REPRODUCTION IN PART OR AS  
A WHOLE WITHOUT THE WRITTEN PERMISSION OF KIGRE, INC. IS  
PROHIBITED.

NEXT ASSY

USED ON

APPLICATION

5

4

3

2

1