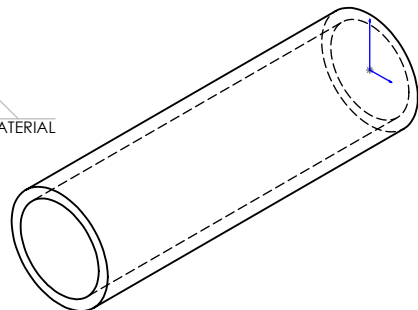


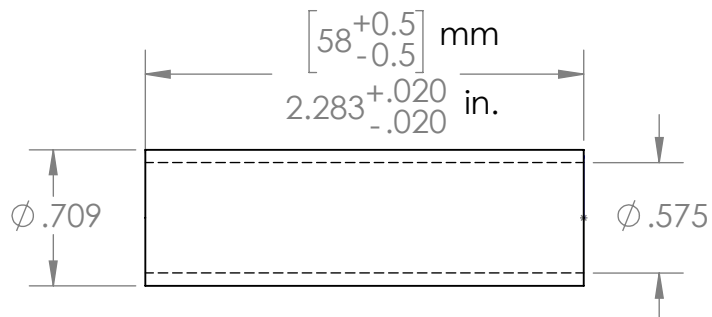
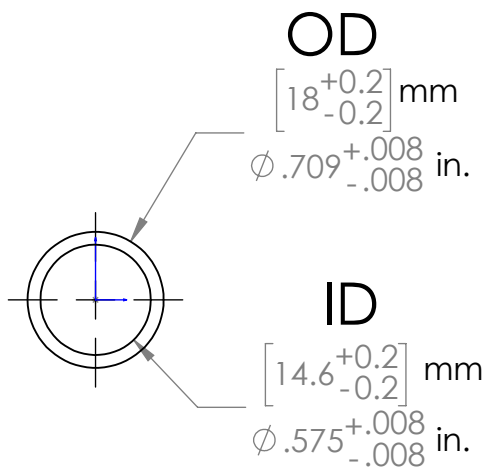
DASH NO.	GLASS
-KK	KK1
-S	KSF5
-SS	KSF10
-K	KF2
-C	KC331
-Q	QUARTZ

PART NUMBER		
-EXAMPLE-		
REV	DRAWING NO.	LENGTH MATERIAL
	B A2513 - 332 - KK	
NO SOAK, LIGHT FIRE POLISH		



KSF-10

NO.	NOTES
1	▶ BLANK CUT LENGTH = L + 0.5".
2	POLISH INSIDE AND OUT TO CLARITY, TO 80 - 50 SCRATCH - DIG.
3	ENDS-FINE GROUND & CHAMFER ON O.D. & I.D. 0.005" - 0.010".
4	STRENGTHEN - 3 DAY SOAK. (EXCEPT WHERE NOTED).



	$\phi 0.004"$
	$\phi .1$ mm

UNLESS OTHERWISE SPECIFIED:
 DIMENSIONS ARE IN INCHES
 (EXCEPT WHERE NOTED)
 TOLERANCES:
 ONE PLACE DECIMAL ± 0.020
 TWO PLACE DECIMAL ± 0.010
 THREE PLACE DECIMAL ± 0.008

	NAME	DATE
DRAWN	CRH	30APR15
CHECKED	JMM	30APR15
ENG APPR.		
MFG APPR.		
Q.A.		
COMMENTS:		

L3 KIGRE, INC.

TITLE:
SINGLE BORE FILTER TUBE

SIZE **A** DWG. NO. **A4391-2.283"-SS** REV **1**

SCALE 1:1 WEIGHT: SHEET 1 OF 1

REV	DATE	DESCRIPTION	BY	APPR
1	8MAR18	UPDATED ID AND TOLERANCES.	CRH	JKD

NEXT ASSY	USED ON
APPLICATION	

DO NOT SCALE DRAWING