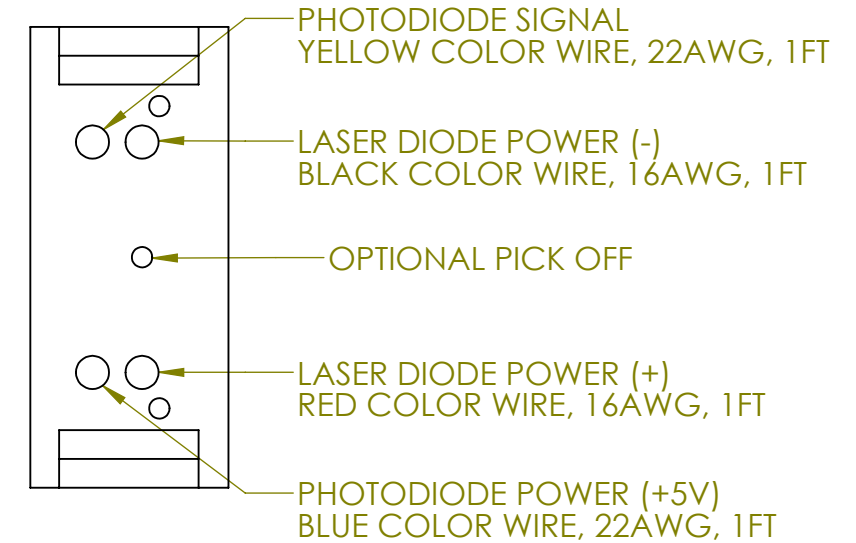
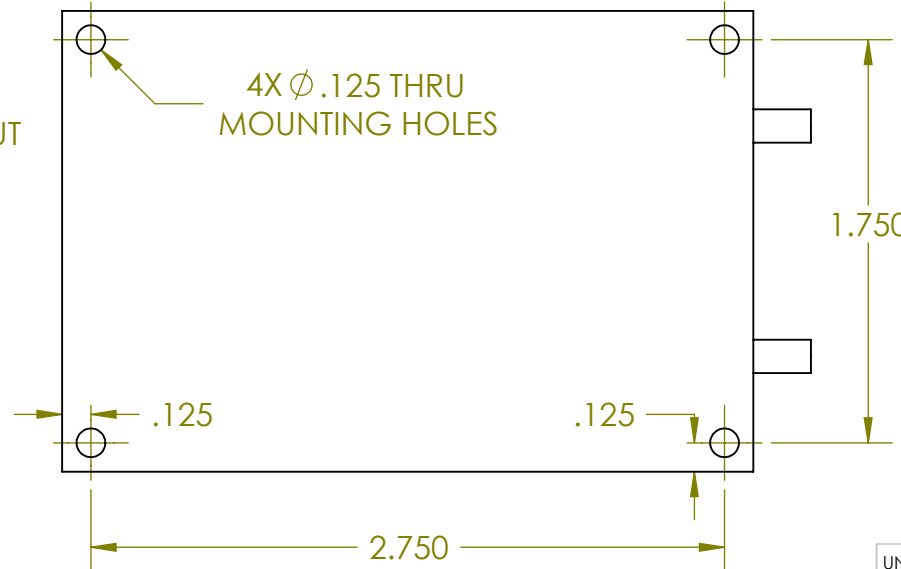
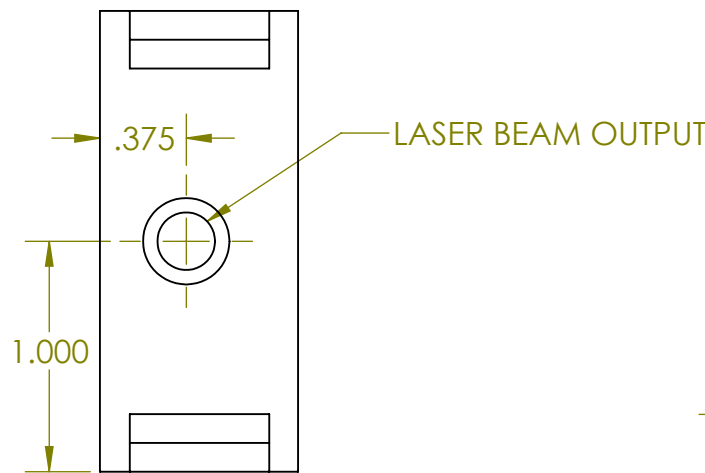
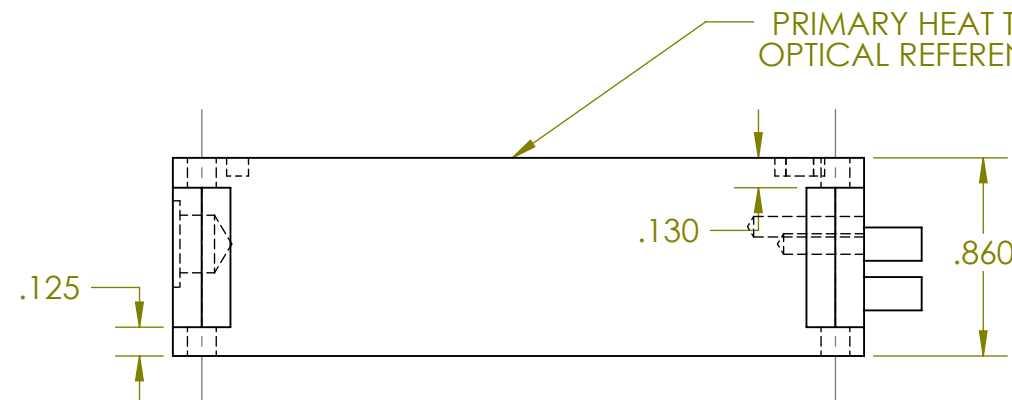
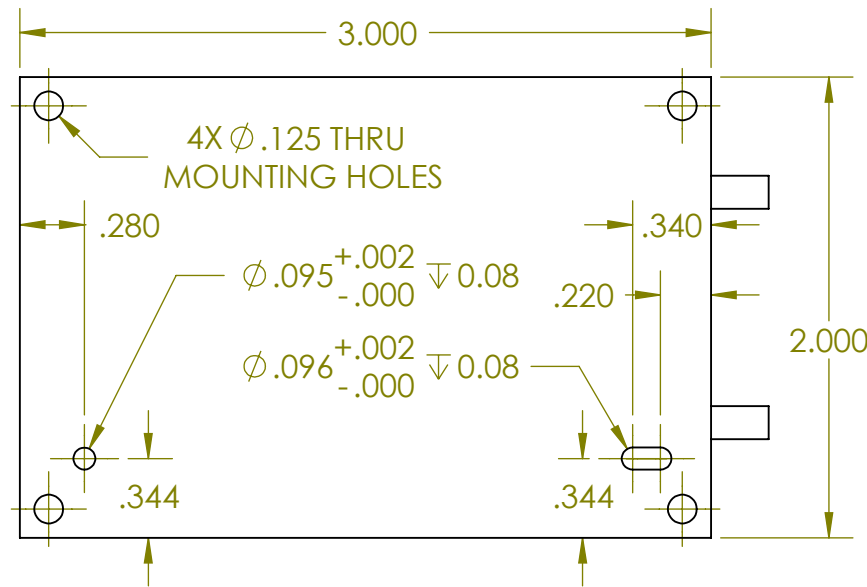
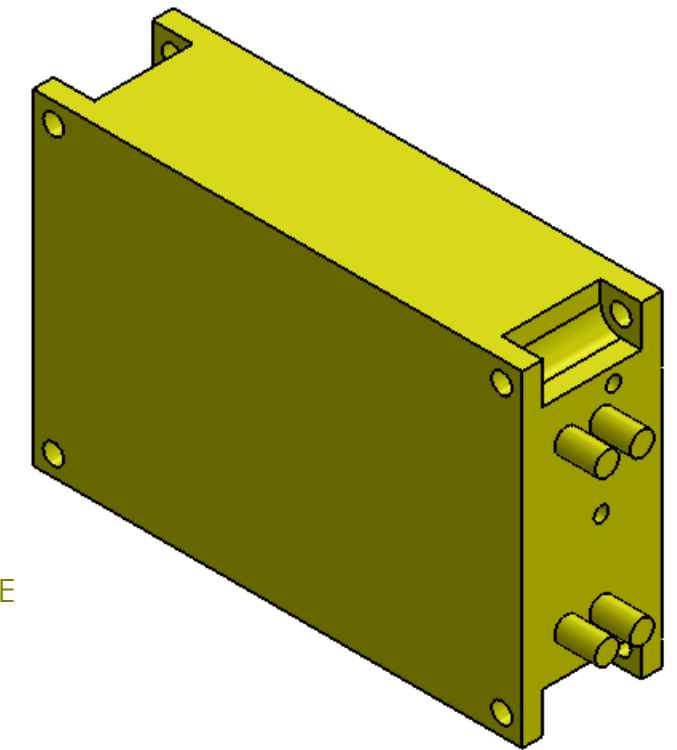
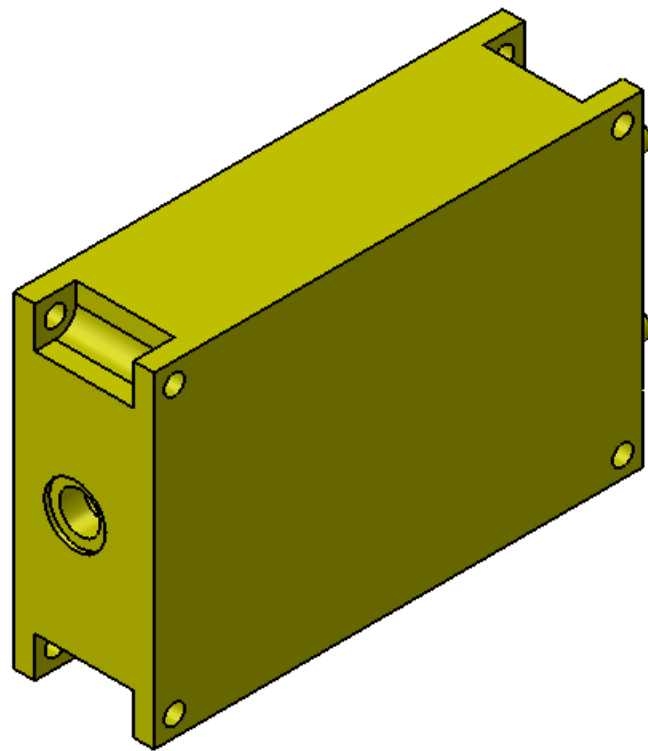


REV	DATE	DESCRIPTION	APPR
1	16SEP2009	ECR-B1612-1	CRH



PROPRIETARY AND CONFIDENTIAL
 THE INFORMATION CONTAINED IN THIS DRAWING IS THE SOLE PROPERTY OF <INSERT COMPANY NAME HERE>. ANY REPRODUCTION IN PART OR AS A WHOLE WITHOUT THE WRITTEN PERMISSION OF <INSERT COMPANY NAME HERE> IS PROHIBITED.

UNLESS OTHERWISE SPECIFIED:
 DIMENSIONS ARE IN INCHES
 TOLERANCES:
 ONE PLACE DECIMAL ± 0.020
 TWO PLACE DECIMAL ± 0.010
 THREE PLACE DECIMAL ± 0.005
 INTERPRET GEOMETRIC TOLERANCING PER:
 MATERIAL
 COPPER ALLOY #110
 FINISH
 32
 DO NOT SCALE DRAWING

	NAME	DATE
DRAWN	CXY	09SEP09
CHECKED	CRH	09SEP09
ENG APPR.		
MFG APPR.		
Q.A.		
COMMENTS:		

KIGRE, INC.

TITLE:
**MK88/MK84
 LASER OUTLINE**

SIZE B	DWG. NO. B1664	REV 1
SCALE: 1:1	WEIGHT:	SHEET 1 OF 1

NOTE	DATE	DESCRIPTION	APPR